

4

3

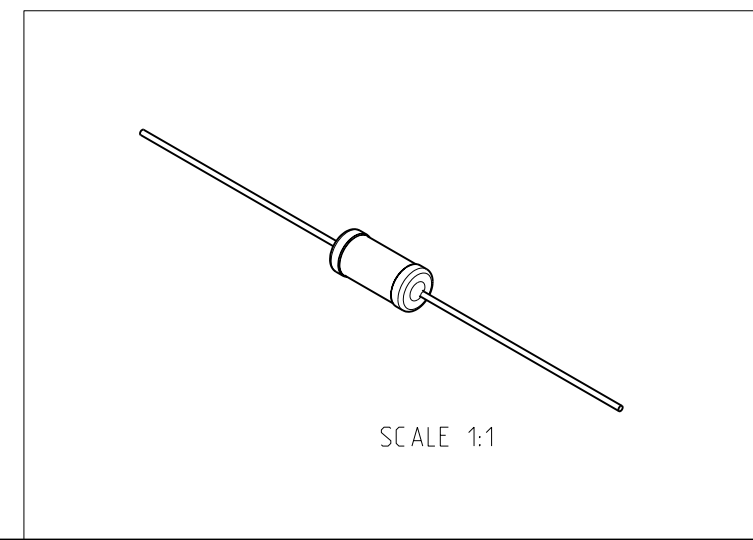
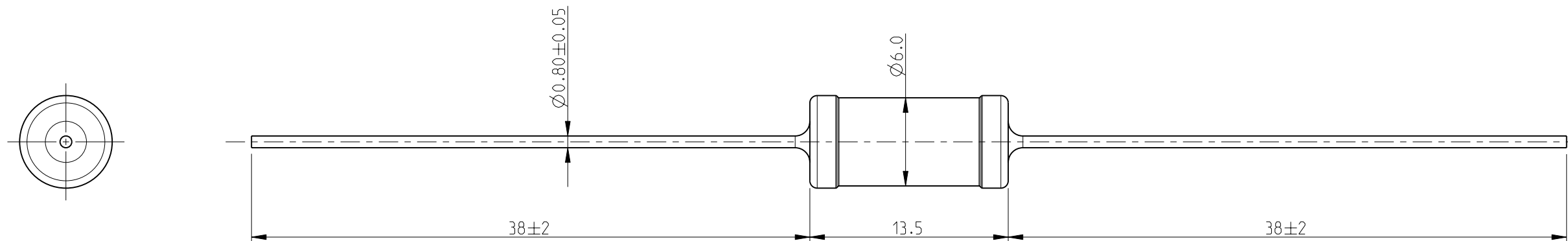
2


1

THIS DRAWING IS UNPUBLISHED. RELEASED FOR PUBLICATION 2008
 © COPYRIGHT 2008 BY - ALL RIGHTS RESERVED.

LOC	DIST	REVISIONS			
P	LTR	DESCRIPTION	DATE	DWN	APVD
E	B	BA1	REVISED PER ECO-11-005150	29MAR2011	RK HMR

1. PACKAGING: AMMO PACKED
2. FOR FURTHER INFORMATION SEE DATA SHEET FOR SERIES ER/ERV- HIGH POWER RESISTORS



THIS DRAWING IS A CONTROLLED DOCUMENT.		DWN	28-JUL-09		 TE Connectivity HIGH POWER RESISTORS SERIES ER74				
DIMENSIONS: mm		CHK	28-JUL-09						
TOLERANCES UNLESS OTHERWISE SPECIFIED:		APVD	28-JUL-09						
0 PLC ± 0.2 1 PLC ± 0.1 2 PLC ± - 3 PLC ± - 4 PLC ± - ANGLES ± - ± 5°		PRODUCT SPEC	-						
MATERIAL	-	FINISH	-		APPLICATION SPEC	-			
		WEIGHT	-		SIZE	A3			
		CUSTOMER DRAWING		SCALE	3:1	CAGE CODE	00779		
				DRAWING NO	G= 1623746		RESTRICTED TO	-	
				SHEET	1	OF	1	REV	BA1